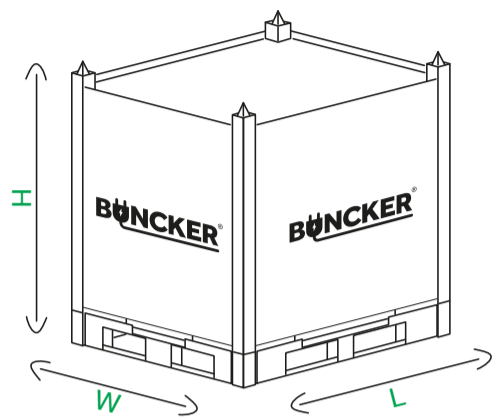
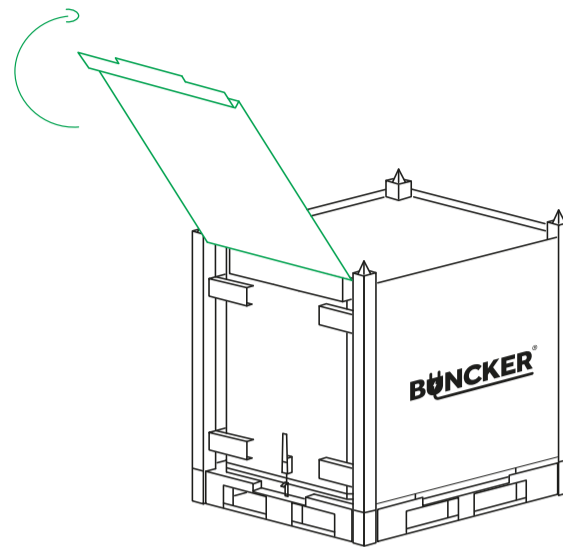


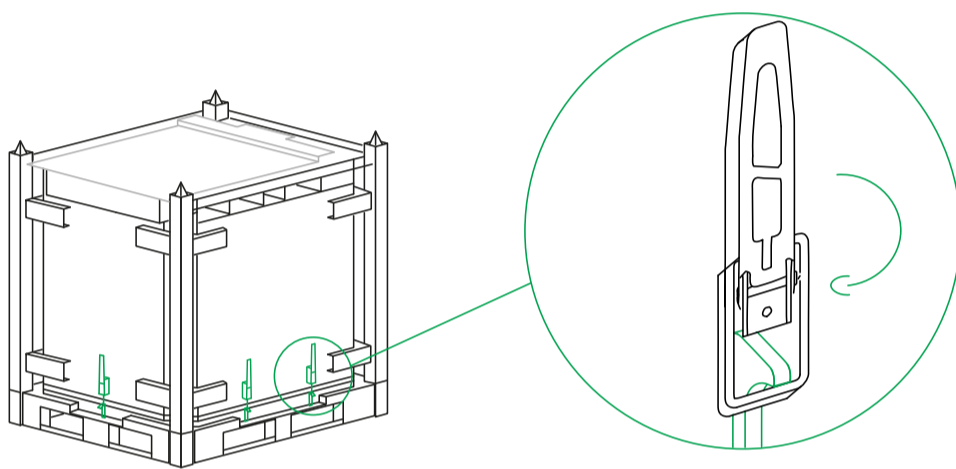
BUNCKER®



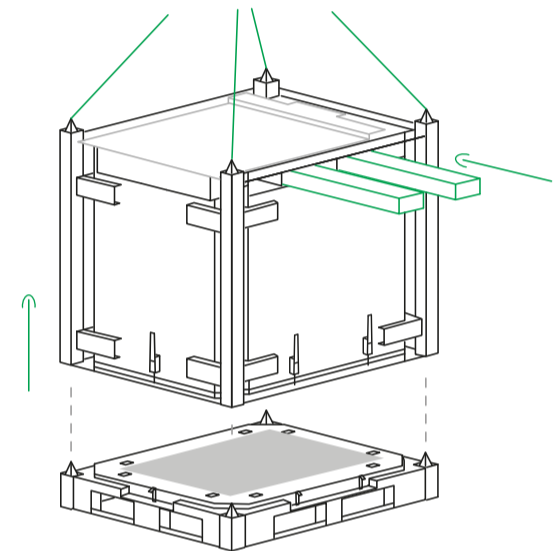
① Flip over the side panels



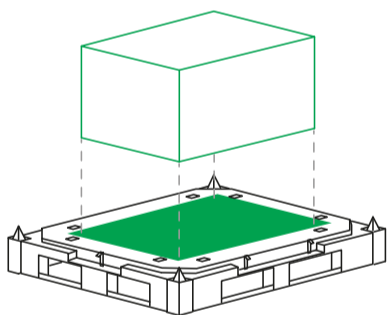
② Open all clamps



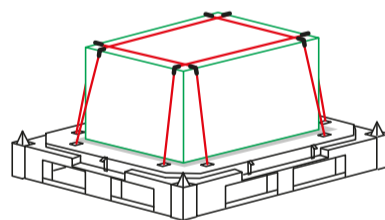
③ Lift bell jar from the pallet



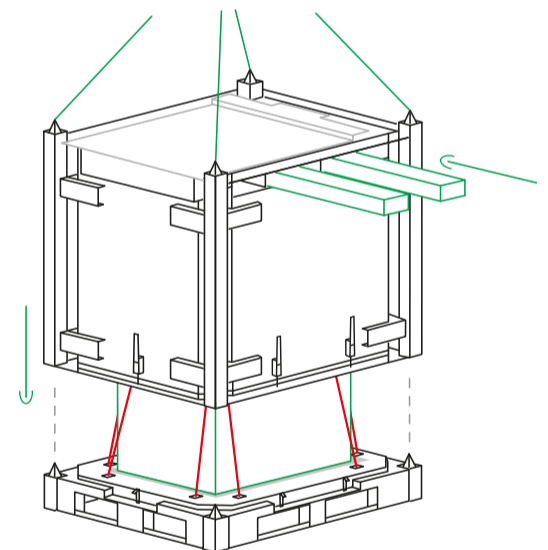
④ Place lithium battery/batteries within the non-conductive mat



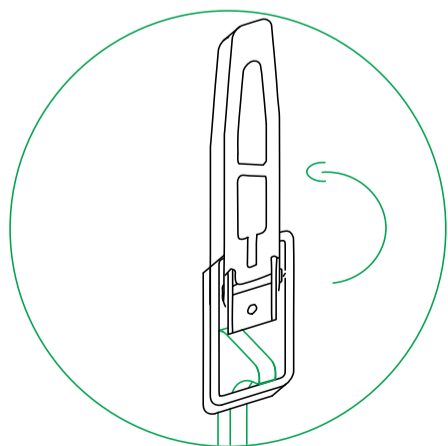
⑤ Place straps around the battery/batteries with a protective cover on the corners



⑥ Place bell jar back on pallet



⑦ Close all clamps



⑧ Flip back the side panels

